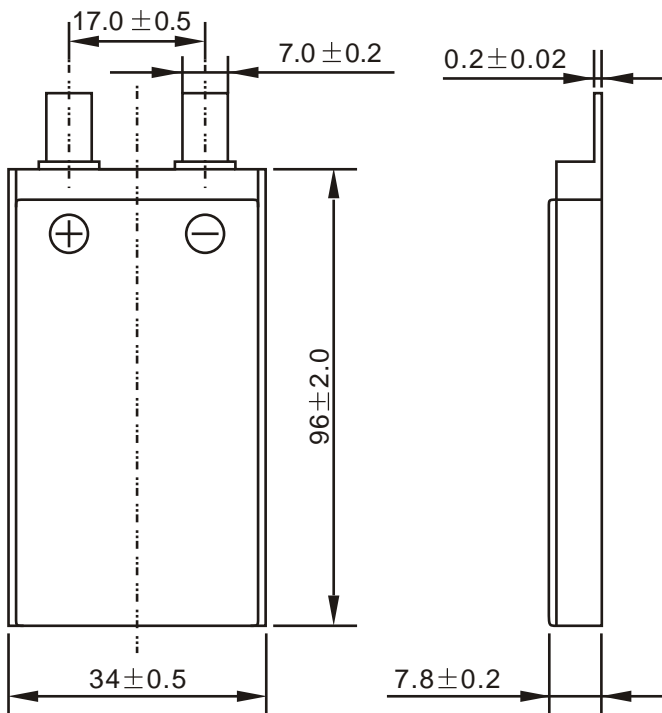


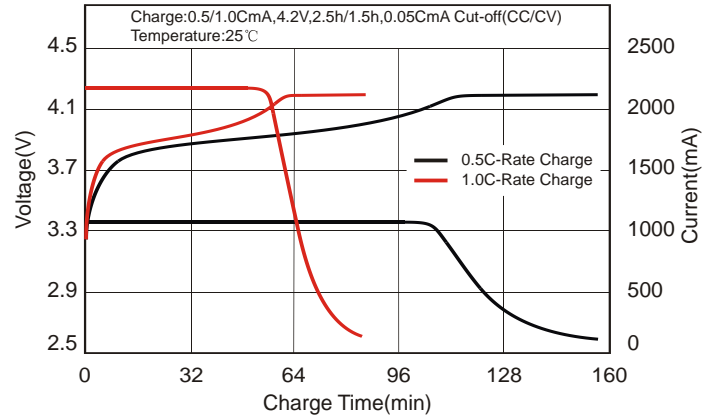
## Specifications

<b>Model</b>		<b>FB783496XP</b>
<b>Nominal Capacity</b>		<b>2200mAh</b>
<b>Nominal Voltage</b>		<b>3.7V</b>
<b>Weight(Approx.g)</b>		<b>55.5</b>
<b>AC-Impedance(mΩ) at 1KHz</b>		<b>Max 6.0</b>
<b>Dimensions</b>	<b>Thickness</b>	<b>7.8 ± 0.2mm</b>
	<b>Width</b>	<b>34 ± 0.5mm</b>
	<b>Length</b>	<b>96 ± 2.0mm</b>
<b>Nominal Charge Condition</b>	<b>Current</b>	<b>1100mA (0.5C)</b>
	<b>Voltage</b>	<b>4.2V</b>
	<b>Cut-off Current</b>	<b>110mA( C/20)</b>
	<b>Ending Time</b>	<b>2.5h</b>
<b>Nominal Discharge</b>	<b>Current</b>	<b>2200mA(1C)</b>
	<b>Cut-off Voltage</b>	<b>3.0V</b>
<b>Max.Charge Current</b>		<b>2200mA(1C)</b>
<b>Max Discharge Current</b>	<b>Continuous</b>	<b>55.0A(25C)</b>
	<b>Burst</b>	<b>110.0A( 50C)</b>
<b>Temperature Condition</b>	<b>Charge</b>	<b>0~45℃</b>
	<b>Discharge</b>	<b>-20~60℃</b>
	<b>Storage</b>	<b>-20~45℃</b>

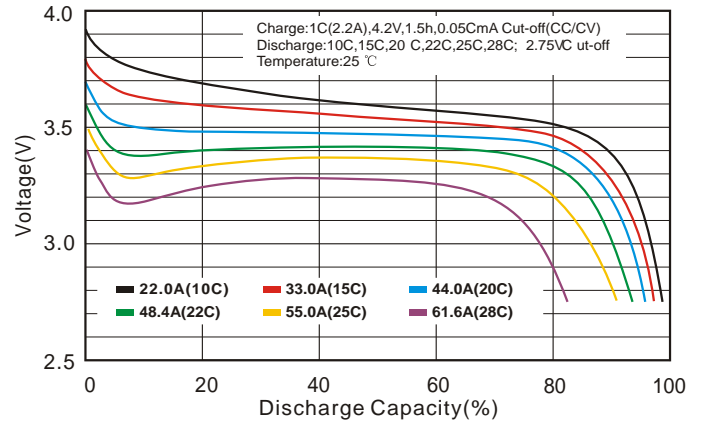
## Dimensions(mm)



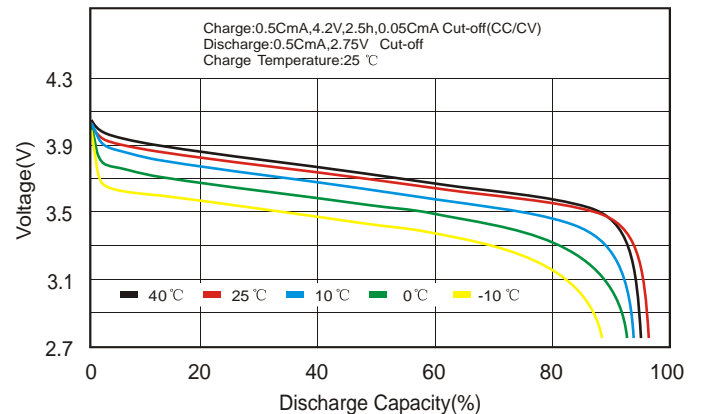
## Charge Characteristics



## Discharge Rate Characteristics



## Discharge Temperature Characteristics



## Cycle Life Characteristics

